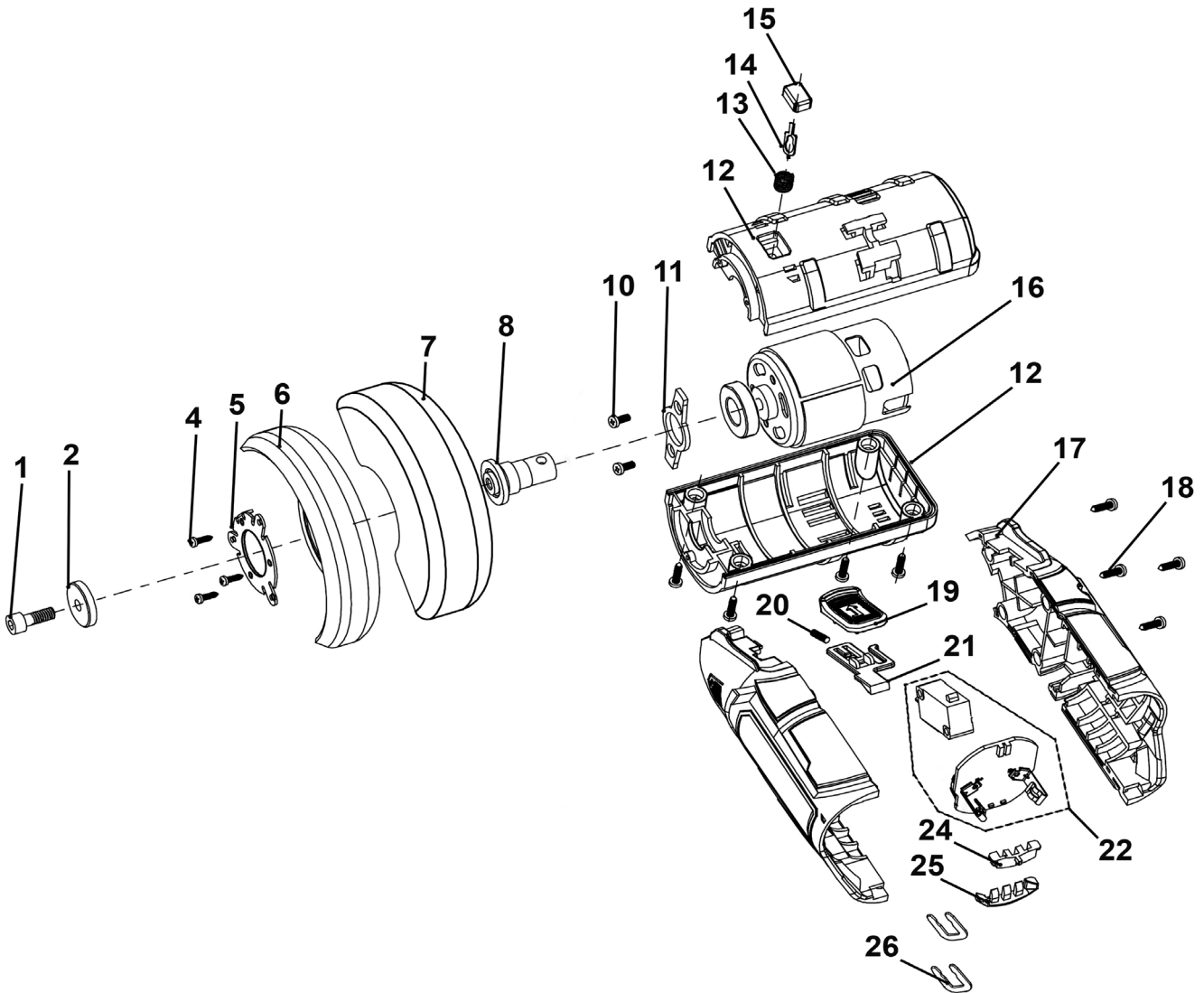




Parts Information:  
**Cordless Angle Grinder Kit 10.8V 2Ah**  
**SV10.8 Series Ø85mm**  
**Model No: CP108VAG**



Item	Part No.	Description	Qty
1	CP108VAGBO.01	Socket Cap Bolt	1
2	CP108VAGBO.02	Flange Nut	1
4	CP108VAGBO.04	Screw for Press Plate	3
5	CP108VAGBO.05	Press Plate	1
6	CP108VAGBO.06	Wheel Guard	1
7	CP108VAGBO.07	Plastic Protection Cover	1
8	CP108VAGBO.08	Output Shaft	1
10	CP108VAGBO.10	Screw for Support Plate	1
11	CP108VAGBO.11	Support Plate	1
12	CP108VAGBO.12	Motor Housing Complete	1
13	CP108VAGBO.13	Lock Stop Spring	1
14	CP108VAGBO.14	Lock Stop Spacer	1
15	CP108VAGBO.15	Lock Stop Button	1

Item	Part No.	Description	Qty
16	CP108VAGBO.16	Motor (c/w Bearing)	1
17	CP108VAGBO.17	Side Handle Complete	1
18	CP108VAGBO.18	Housing Screw	8
19	CP108VAGBO.19	Switch Button	1
20	CP108VAGBO.20	Switch Spring	1
21	CP108VAGBO.21	Push Rod	1
22	CP108VAGBO.22	Switch (c/w PCB)	1
24	CP108VAGBO.24	Indicator Support	1
25	CP108VAGBO.25	Indicator Support Cover	1
26	CP108VAGBO.26	Terminal Clip	2
--	CP108VBP	Power Tool Battery Li-Ion 10.8V 2Ah (Not Shown)	1
--	CP108VMC	Charger Li-Ion 10.8V (Not Shown)	1

**NOTE:** It is our policy to continually improve products and as such we reserve the right to alter data, specifications and component parts without prior notice. There may be alternative versions of this product, please contact us should you require this information.

**IMPORTANT:** No liability is accepted for incorrect use of product. Spare parts must be fitted by a competent person

**WARRANTY:** Guarantee is 12 months from purchase date, proof of which will be required for any claim.

Sealey Group, Kempson Way, Suffolk Business Park, Bury St Edmunds, Suffolk. IP32 7AR



01284 757500



sales@sealey.co.uk



www.sealey.co.uk